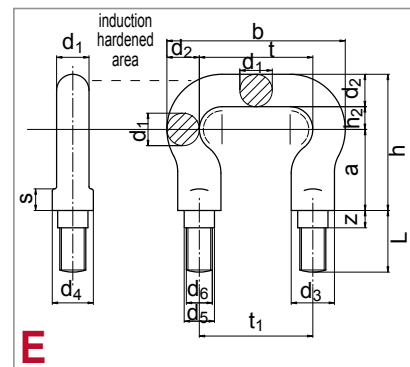
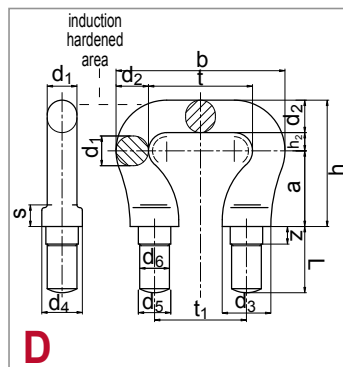
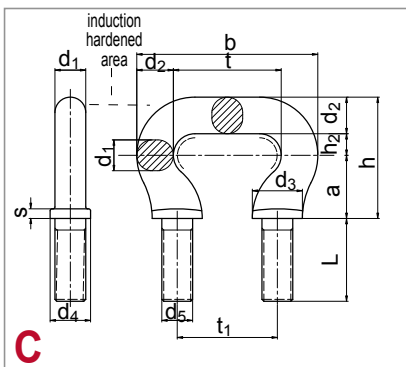
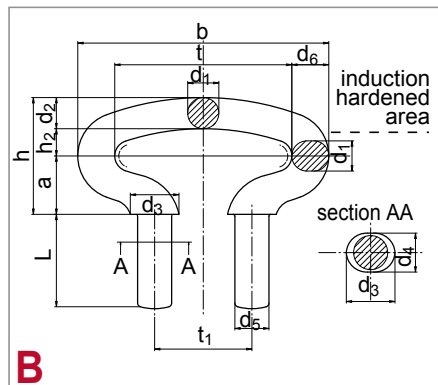
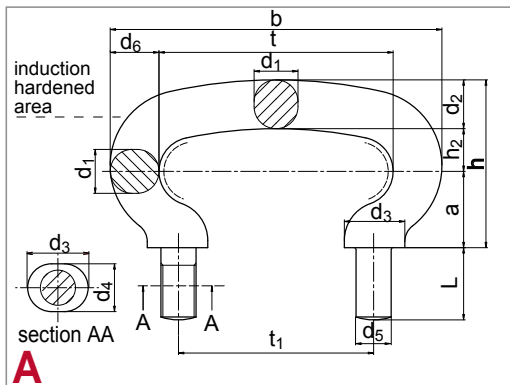


Manigioni speciali

Special chain shackles

Asas especiales



Codice Code Código	Forma Shape Forma	Dimensioni Dimensions Dimensiones mm															Massa Mass Masa kg ?
		t	t ₁	a	b	d ₁	d ₂	d ₃	d ₄	d ₅	d ₆	h	h ₂	L	s	z	
T54-50S	A	54	50	27	98	19	19	27	20	M16	22	58	12	42	-	-	0.4
T140-120S	A	140	120	45	196	25	25	36	30	M24	28	88	18	50	-	-	1.64
T125S	A	125	125	48	209	39	39	46	40	M30	42	108	21	86	-	-	3.9
T150-130S	A	150	130	50	212	28	28	40	32	M24	32	98	20	55	-	-	2.11
T180-150S	A	180	150	63	255	34	34	44	38	M30	37.5	122	25	78	-	-	4.6
T220-180S	A	220	180	68	312	41	42	55	41	M30	46	136	26	70	-	-	6.0
T240-200S	A	240	200	78	340	45	50	62	49	M36	50	172	44	74	-	-	9.5
T125-80S	B	125	80	45	185	28	28	40	33	M24	30	95	22	70	-	-	2.3
T140-80S	B	140	80	45	204	28	28	40	30	M24	32	90	17	75	-	-	2.45
T120-100S	B	120	100	39	170	23	23	31	24	M20	25	78	16	61	-	-	1.2
T182-100S	B	182	100	63	258	32	32	50	40	M30	38	120	25	90	-	-	4.35
T14	C	49	40	28.2	83	14	17	22	18	M14	-	55	9.8	40	5	-	0.35
T16	C	56	52	32.8	94	16	19	26	21	M16	-	63	11.2	43	5	-	0.52
T18	C	63	55	34.4	107	18	22	29	24	M18	-	69	12.6	50	6	-	0.75
T20	C	70	58	38	118	20	24	32	26	M20	-	76	16	54	6	-	1.0
T22	C	77	68	39	129	22	26	35	29	M22	-	80	15	56	7	-	1.3
T30	C	105	105	59.5	173	30	34	42	31	M24	-	111	17.5	66	-	-	2.5
C22.5	D	77	68	56	125	22	24	36	30	M22	24	93.5	13.5	49	16	13	1.3
C30.5	E	105	105	75	165	30	30	40	38	M24	28	126	21	57	20	16	2.6