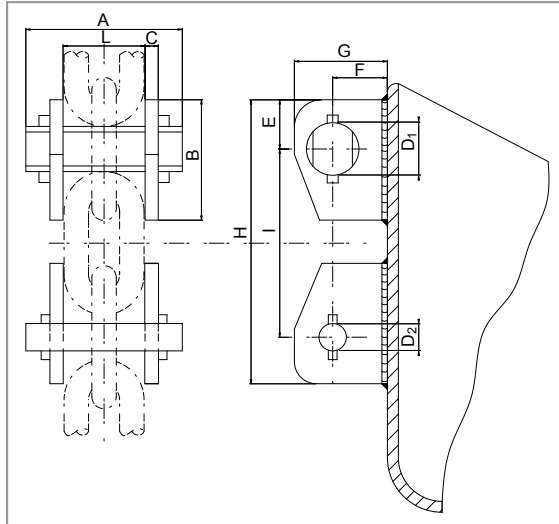


Perni e staffe
Pins and sidewalls
Pernos y estribos


Catena Chain Cadena	Codice Code Código				Dimensioni - <i>Dimensions</i> - Dimensiones mm											Massa del complesso <i>Mass per set</i> Masa del conjunto kg ?
	Perni <i>Pins</i> Pernos		Staffe <i>Sidewalls</i> Estribos		A	B	C	E	F	G	H	I	L	D ₁	D ₂	
	piatti (trascin) <i>flat</i> platos	tondi (guida) <i>round</i> redondos	trascin. <i>driving</i> arrastre	guida <i>guide</i> guía												
16LH	PT16	PG16	ST16	SG16	110	80	10	31	40	65	190	128	58	32	18	1.85
19LH	PT19	PG19	ST19	SG19	131	95	12	40	45	75	230	150	68	36	21	3.4
22LH	PT22	PG22	ST22	SG22	158	110	15	44	50	85	260	172	80	42	25	4.7
26LH	PT26	PG26	ST26	SG26	172	120	15	45	61	100	290	200	94	48	32	6.7
30LH	PT30	PG30	ST30	SG30	190	140	15	50	75	125	340	240	109	60	36	10.2
34LH	PT34	PG34	ST34	SG34	210	155	18	54	80	130	380	272	122	67	40	13.4
38LH	PT38	PG38	ST38	SG38	240	170	18	60	90	145	408	288	136			18.5