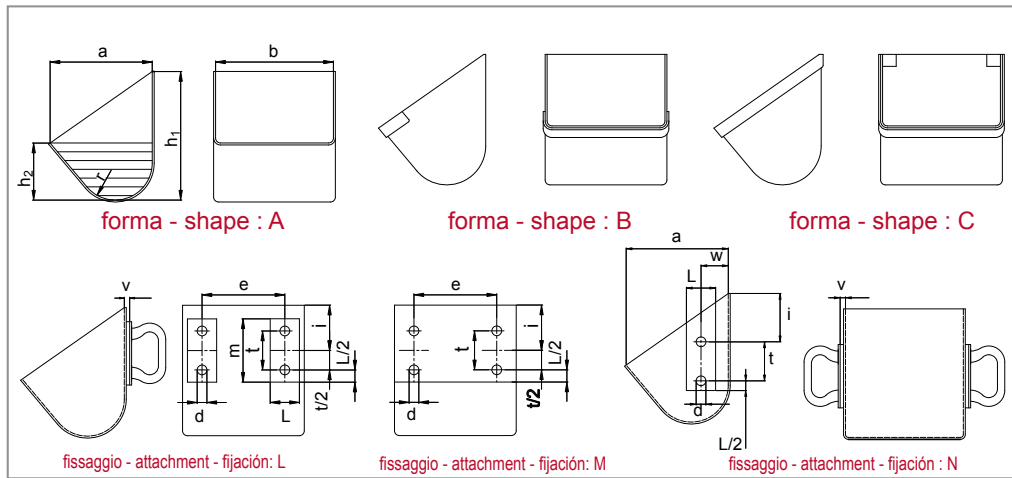


Tazze per elevatori

Buckets for elevators

Cangilones para elevadores



Codice Code Código	Dimensioni Dimensions Dimensiones mm DIN 15234					Maniglione Shackle Asa DIN 5699	Dimensioni attacco tazza Bucket attachment dimension Medidas de la pieza de montaje mm DIN 15236-4							Capacità Capacity Capacidad Sxb (dm ³)	Peso di una tazza forma A Weight of an A shape bucket Peso de un cangilón de forma A kg ? (7.85 kg/dm ³)								
	Largh. Width Ancho b	a	h ₁	h ₂	r		t	d	e	i	m	L _{min}	w		v	Spessore Sheet thickness Espesor de la plancha mm							
																2	3	4	5	6	8		
TZ 160x140	160	140	180	95	45	56	15	100	67	95	40	36	6	1.5	1.38	2.08							
TZ 160x160	160	160	200	106	50	56	15	100	75	95	40	40	6	1.9	1.59	2.39	3.18						
TZ 200x160	200	160	200	106	50	63	17	125	75	110	40	40	6	2.4	1.85	2.8	3.76						
TZ 250x180	250	180	224	118	56	63	17	160	85	110	40	45	8	3.7	2.49	3.77	4.96						
TZ 250x200	250	200	250	132	63	63	17	160	95	110	40	50	8	4.6		4.36	5.82	7.27					
TZ 315x200	315	200	250	132	63	70	21	200	95	120	50	50	8	5.8		5.09	6.82	8.59					
TZ 400x224	400	224	280	150	71	80	21	250	106	130	50	56	10	9.4		7.03	9.40	11.8					
TZ 500x250	500	250	315	170	80	91	25	315	118	150	60	63	10	14.9			12.8	16.1	19.4				
TZ 630x280	630	280	355	190	90	105	25	400	132	165	60	70	10	23.5			17.6	22.1	26.6				
TZ 800x315	800	315	400	212	100	126	31	500	150	200	70	80	10	37.3				30.6	36.9	49.6			
TZ 1000x355	1000	355	450	236	112	126	31	630	170	200	70	90	10	58.3				42.0	50.3	67.0			
TZ 1250x400	1250	400	500	265	125	147	37	800	190	230	80	100	12	92.0					68.5	91.9			