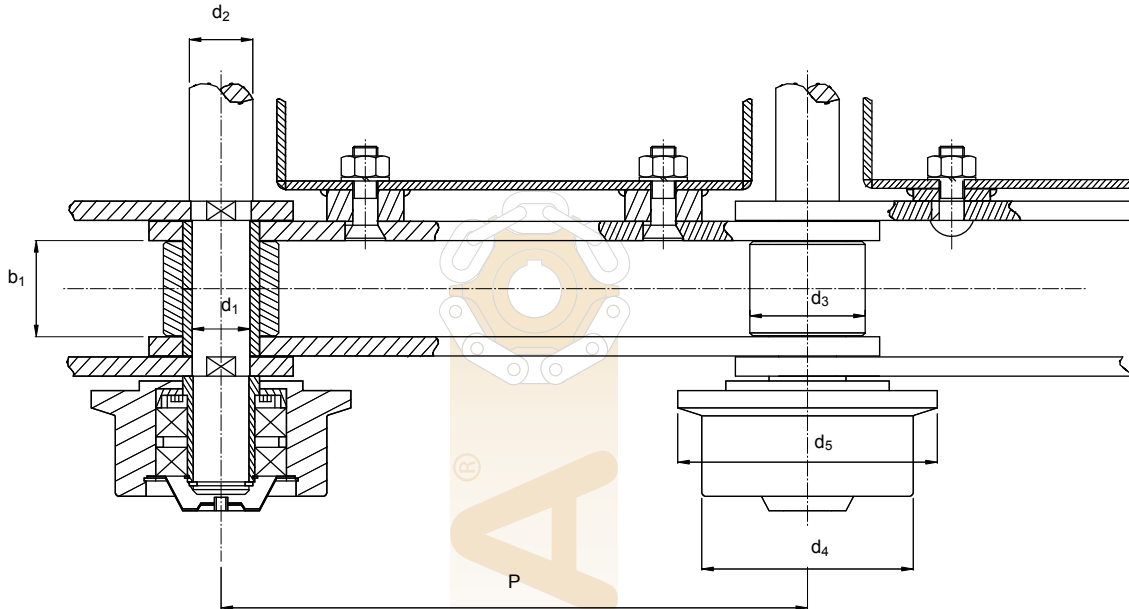


**Catena di trasporto tazze, con
perni trasversali e
rulli sporgenti**

**Bucket conveyors chain
linked by crosspiece pins and
outboard rollers**

**Cadena transportadora
de cangilones unida por
travesaños y rodillos
fuera-borda**



Codice Code Código	Passo Pitch Paso P	b_1	Dimensioni / Dimensions / Dimensiones mm					Spessore maglia Plate thickness Grueso malla	MBF kN
			Ø Perno Pin Eje d_1/d_2	Ø Rullo Roller Rodillo d_3	Ø Rullo laterale Outboard roller Rodillo lateral d_4/d_5	Larghezza maglia Plate width Ancho malla			
GE-1	315-400	55	25/30	50	100/130	60	8	260	
GE-2	315-400	65	30/35	60	100/140	65	10	320	
GE-3	400	80	36/40	70	180/220	80	12	450	