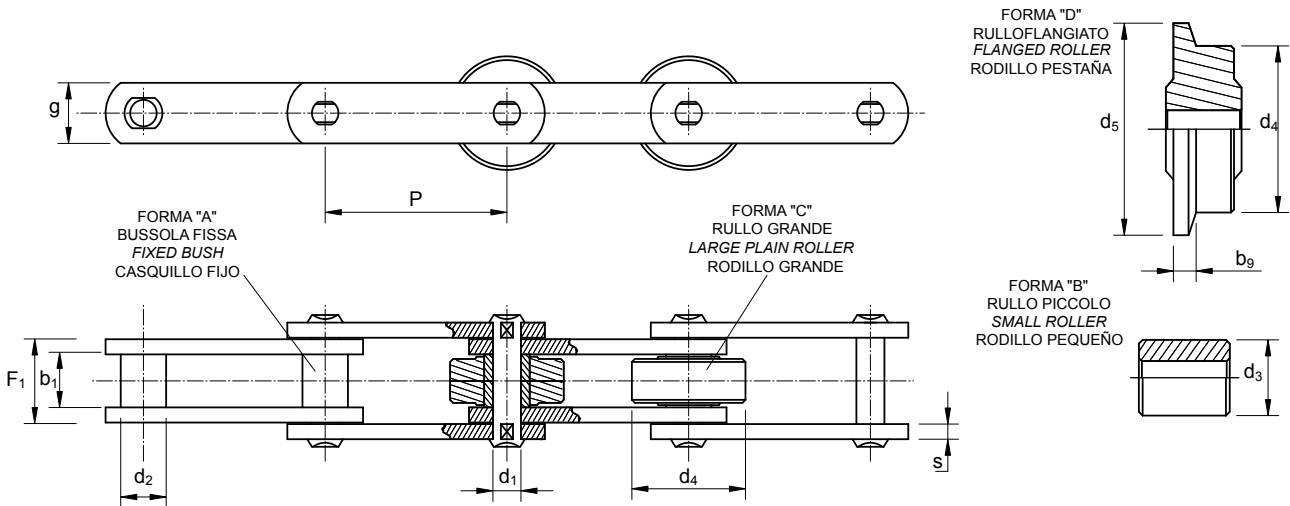


**Catena di trasporto con  
perni pieni**

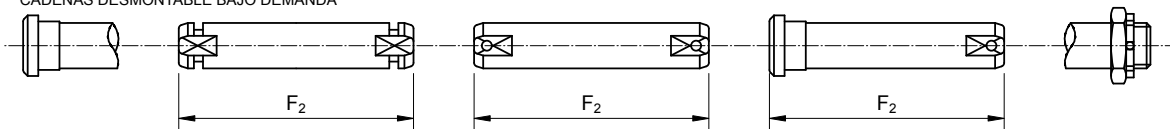
**Solid pin conveyor chain**

**Cadenas transportadora con  
ejes macizos**

**ISO-R 1977/DIN 8167**



CATENESMONTABILI SU RICHIESTA  
COTTERED CHAINS UNDER REQUEST  
CADENAS DESMONTABLE BAJO DEMANDA

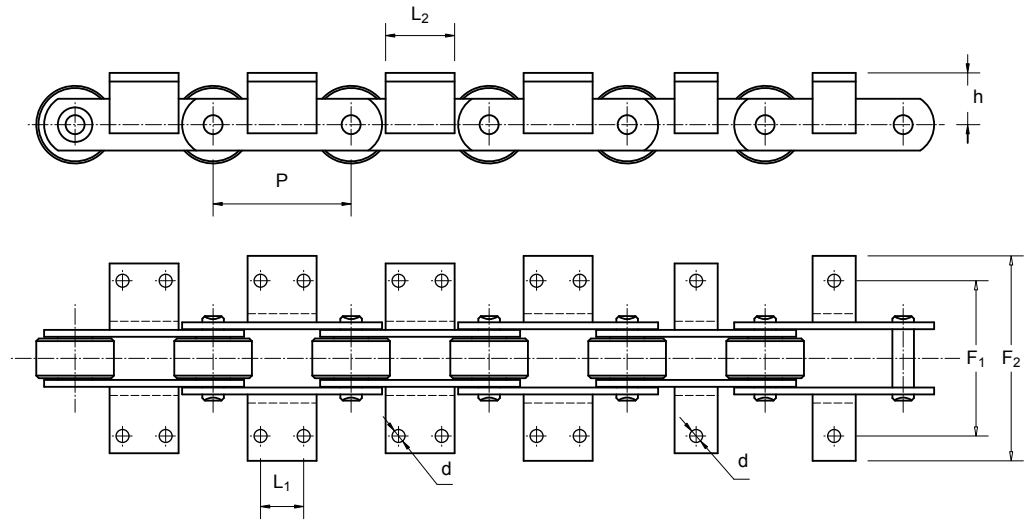


| Codice<br>Code<br>Código<br>ISO/DIN | Dimensioni / Dimensions / Dimensiones |     |     |  |   |   |   |     |  |   |  |    |                |                | Superf.<br>di artic.<br>Surface<br>of artic.<br>Superf.<br>artic.<br>cm <sup>2</sup> | MBF<br>kN |
|-------------------------------------|---------------------------------------|-----|-----|--|---|---|---|-----|--|---|--|----|----------------|----------------|--|-----------|
|                                     | Passo<br>Pitch<br>Paso<br>P           |     |     | Rullo grande/ Large roller /<br>Rodillo grande |   |   |   |     | Ø<br>Rullo<br>piccolo<br>Small<br>roller<br>Rodillo<br>pequeño<br>d <sub>3</sub> | Ø<br>Bussola<br>Bush<br>Casq.<br>d <sub>2</sub> | Ø<br>Perno<br>Pin<br>Eje<br>d <sub>1</sub> |    |                |                |  |           |
|                                     |                                       |     |     | b <sub>1</sub>                                 | Ø<br>Rullo<br>Roller<br>Rodillo<br>d <sub>4</sub> | Ø<br>Guida<br>Guide<br>Guía<br>d <sub>4</sub> /d <sub>5</sub> | Spessore<br>Thickness<br>Grueso<br>b <sub>9</sub> | g   |  |   |  | s  | F <sub>1</sub> | F <sub>2</sub> |  |           |
| M-80                                | 80                                    | 100 | 125 | 28   | 50  | 50/60   | 5.5   | 35  | 5  | 57  | 65   | 25 | 18             | 12             | 4.68   | 80        |
|                                     | 160                                   | 200 | 250 |  |   |   |   |     |  |   |  |    |                |                |  |           |
| M-112                               | 80                                    | 100 | 125 | 32   | 60  | 60/70   | 6.5   | 40  | 6  | 66  | 74   | 30 | 21             | 15             | 6.75   | 112       |
|                                     | 160                                   | 200 | 250 |  |   |   |   |     |  |   |  |    |                |                |  |           |
| M-160                               | 100                                   | 125 | 160 | 37   | 70  | 70/85   | 8   | 50  | 7  | 77  | 86   | 36 | 25             | 18             | 9.36   | 160       |
|                                     | 200                                   | 250 | 315 |  |   |   |   |     |  |   |  |    |                |                |  |           |
| M-224                               | 125                                   | 160 | 200 | 43   | 85  | 85/100  | 9.5   | 60  | 8  | 88  | 100  | 42 | 30             | 21             | 12.6   | 224       |
|                                     | 250                                   | 315 | 400 |  |   |   |   |     |  |   |  |    |                |                |  |           |
| M-315                               | 160                                   | 200 | 250 | 48   | 100   | 100/120   | 11  | 70  | 10   | 103   | 114  | 50 | 36             | 25             | 17.5   | 315       |
|                                     | 315                                   | 400 | 500 |  |   |   |   |     |  |   |  |    |                |                |  |           |
| M-450                               | 200                                   | 250 | 315 | 56   | 120   | 120/140   | 13  | 80  | 12   | 122   | 140  | 60 | 42             | 30             | 24.6   | 450       |
|                                     | 400                                   | 500 | 630 |  |   |   |   |     |  |   |  |    |                |                |  |           |
| M-630                               | 250                                   | 315 | 400 | 66   | 140   | 140/170   | 15  | 100 | 14   | 142   | 156  | 70 | 50             | 36             | 34.56  | 630       |
|                                     | 500                                   | 630 | 800 |  |   |   |   |     |  |   |  |    |                |                |  |           |
| M-900                               | 250                                   | 315 | 400 | 78   | 170   | 170/210   | 17  | 120 | 16   | 165   | 185  | 85 | 60             | 44             | 49.28  | 900       |
|                                     | 500                                   | 630 | 800 |  |   |   |   |     |  |   |  |    |                |                |  |           |

**Catena di trasporto con  
perni pieni**

**Solid pin conveyor chain**

**Cadenas transportadora con  
ejes macizos**



Alette di attacco K1 e K2  
Attachments K1 and K2  
Aletas de sujeción K1 y K2

| Codice<br>Code<br>Código<br>ISO/DIN | L                   | Dimensioni / Dimensions / Dimensiones<br>mm |    |    |    |     |     |     |     |     |     |     |     |    | d   | F <sub>1</sub> | F <sub>2</sub> | h      | Angolare<br>Angular plates<br>Angulo |
|-------------------------------------|---------------------|---|----|----|----|-----|-----|-----|-----|-----|-----|-----|-----|----|-----|----------------|----------------|--------|--------------------------------------|
|                                     |                     | Passo/Pitch/Paso<br>P                       |    |    |    |     |     |     |     |     |     |     |     |    |     |                |                |        |                                      |
|                                     |                     | 40  | 50 | 63 | 80 | 100 | 125 | 160 | 200 | 250 | 315 | 400 | 500 |    |     |                |                |        |                                      |
| M-80                                | L <sub>1</sub>      | -   | -  | -  | -  | -   | 50  | 85  | 125 | 125 | 125 | -   | -   | 11 | 96  | 142            | 35             | 40x4   |                                      |
|                                     | L <sub>2</sub> max. | -   | -  | -  | 22 | 22  | 75  | 110 | 150 | 150 | 150 | -   | -   | 14 | 110 | 159            | 40             | 50x6   |                                      |
| M-112                               | L <sub>1</sub>      | -   | -  | -  | -  | -   | 35  | 65  | 100 | 100 | 100 | 100 | -   | 14 | 124 | 188            | 45             | 50x6   |                                      |
|                                     | L <sub>2</sub> max. | -   | -  | -  | 28 | 28  | 65  | 95  | 130 | 130 | 130 | 130 | -   | 18 | 140 | 218            | 55             | 60x8   |                                      |
| M-160                               | L <sub>1</sub>      | -   | -  | -  | -  | -   | -   | 50  | 85  | 145 | 145 | 145 | 145 | 18 | 140 | 218            | 55             | 60x8   |                                      |
|                                     | L <sub>2</sub> max. | -   | -  | -  | -  | 30  | 30  | 80  | 115 | 175 | 175 | 175 | 175 | 18 | 140 | 218            | 55             | 60x8   |                                      |
| M-224                               | L <sub>1</sub>      | -   | -  | -  | -  | -   | -   | -   | 65  | 125 | 190 | 190 | 190 | 18 | 160 | 252            | 65             | 70x9   |                                      |
|                                     | L <sub>2</sub> max. | -   | -  | -  | -  | -   | 35  | 35  | 100 | 160 | 225 | 225 | 225 | 18 | 160 | 252            | 65             | 70x9   |                                      |
| M-315                               | L <sub>1</sub>      | -   | -  | -  | -  | -   | -   | -   | 50  | 100 | 155 | 155 | 155 | 18 | 180 | 288            | 75             | 70x9   |                                      |
|                                     | L <sub>2</sub> max. | -   | -  | -  | -  | -   | -   | 35  | 85  | 135 | 190 | 190 | 190 | 18 | 180 | 288            | 75             | 70x9   |                                      |
| M-450                               | L <sub>1</sub>      | -   | -  | -  | -  | -   | -   | -   | -   | 85  | 155 | 240 | 240 | 24 | 230 | 326            | 90             | 100x12 |                                      |
|                                     | L <sub>2</sub> max. | -   | -  | -  | -  | -   | -   | -   | 40  | 125 | 195 | 280 | 280 | 24 | 230 | 326            | 90             | 100x12 |                                      |
| M-630                               | L <sub>1</sub>      | -   | -  | -  | -  | -   | -   | -   | -   | -   | 100 | 190 | 300 | 30 | 280 | 447            | 110            | 120x15 |                                      |
|                                     | L <sub>2</sub> max. | -   | -  | -  | -  | -   | -   | -   | -   | 50  | 150 | 240 | 350 | 30 | 280 | 447            | 110            | 120x15 |                                      |
| M-900                               | L <sub>1</sub>      | -   | -  | -  | -  | -   | -   | -   | -   | -   | 65  | 155 | 240 | 30 | 280 | 447            | 110            | 120x15 |                                      |
|                                     | L <sub>2</sub> max. | -   | -  | -  | -  | -   | -   | -   | 60  | 125 | 215 | 300 | -   | 30 | 280 | 447            | 110            | 120x15 |                                      |